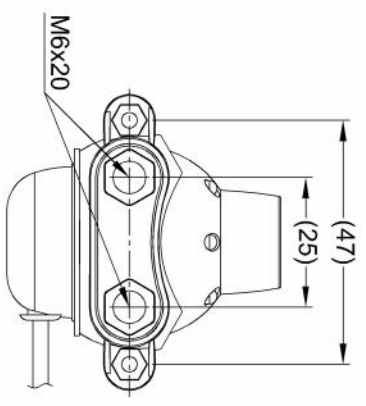
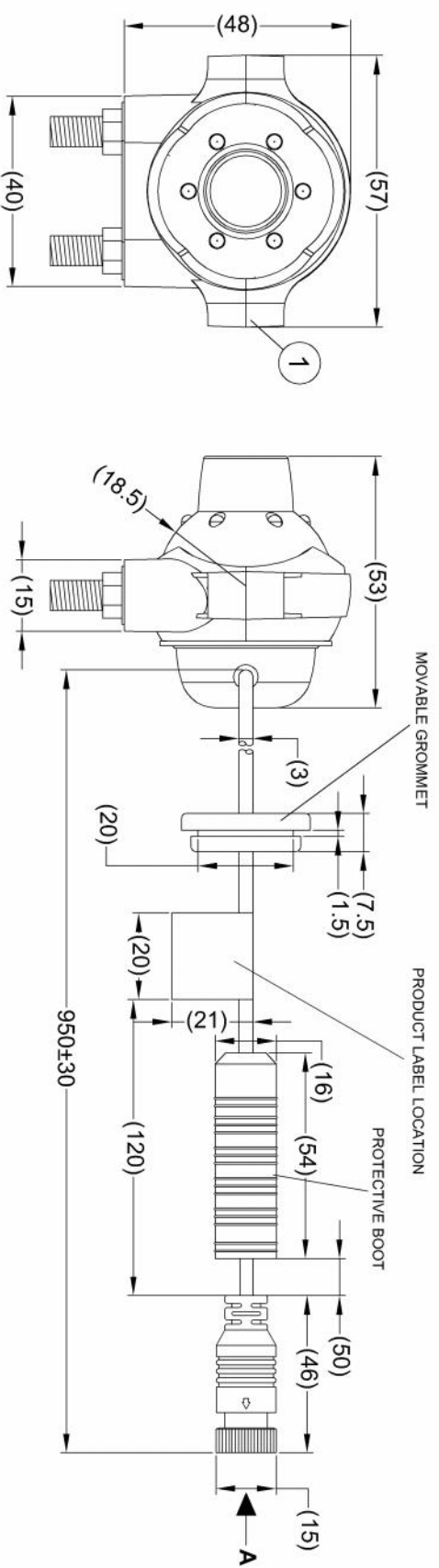
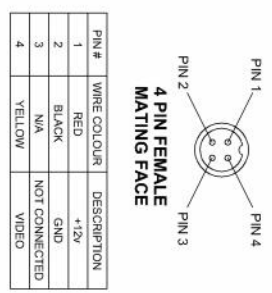


Revision Notes			
R1 - MOUNTING NUTS AND BOLTS ADDED & CONNECTOR DETAIL REVISED, FRAME UPDATED.			
APR: XHUANG	DRAWN: RBATES	CHECKED: B.CHILDS	APPROVED: S.MATHRE
			DATE: 01/03/13



ITEM	PART NO	QTY	MODEL DESCRIPTION
1	(3794)	1	VBV-010C-C CAMERA & HOUSING
2	(3801)	1	VBV-01XC-FIX FIXING KIT (NOT SHOWN)
3	(3773)	1	VBV-01XC-G INSTALLATION GUIDE (NOT SHOWN)

VIEW A



- NOTES:**
1. CAMERA FORMAT: PAL.
 2. CAMERA IMAGE: MIRROR
 3. REFER TO "PRODUCT SPECIFICATION" FOR MORE DETAILS.
 4. FOR PRODUCT/SERIAL NUMBER LABEL REFER TO LATEST REVISION OF BE-0001537-XX-11.
 5. TO BE CONSTRUCTED WITH 2x M6x20mm BOLTS, 2x M6 NUTS, 2x M3x12mm MACHINE SCREWS & 2x M3 NUTS.
 6. FOR GIFTBOX LABEL PLEASE REFER TON THE LATEST REVISION OF DRAWING: BE-001636-XX-11.

PROPRIETARY NOTICE
 THIS DESIGN AND TECHNICAL INFORMATION APPEARING ON THIS DRAWING IS THE PROPERTY OF BRIGADE ELECTRONICS, AND IS DISCLOSED IN CONFIDENCE. IT IS NOT TO BE COPIED, REPRODUCED, REVEALED TO OR EXPROPRIATED BY OTHERS, EITHER IN WHOLE OR IN PART WITHOUT THE EXPRESS WRITTEN CONSENT OF BRIGADE ELECTRONICS.



Assembly PI Approval XHUANG 01/03/13		Approved by D.KERAI		Checked by L.BRAR		Drawn by JNEWMAN	
Angle of Projection 		Units mm	Scale N/A	Released 06/04/11	Assembly Ref 12201022004		
Status RELEASED				VBV-010C			
Part No 3764				BE-001531-01-11			